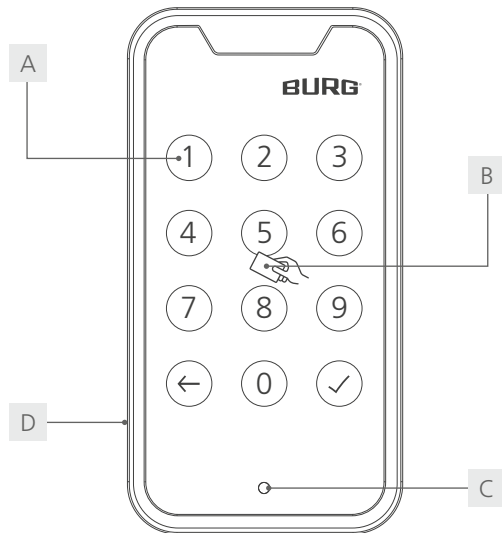




TwinPad
Operating Manual

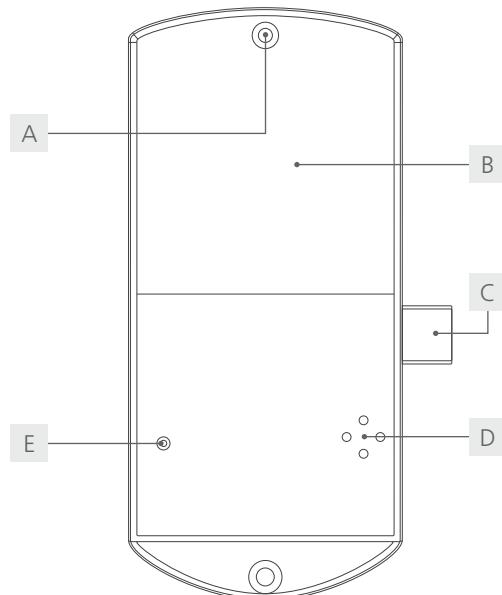
TwinPad

Touchpad



- A Touchpad buttons
- B RFID antenna
- C Status LED
- D Mini-USB port

Back unit



- A Battery cover screw
- B Battery cover
- C Locking bolt
- D Beeper
- E Resethole

¹ We recommend that you cover the reset hole with a black circular sticker to make any manipulations visible.

Content

Introduction.....	2
General.....	2
Technical parameters.....	3
Default settings.....	3
Scope of delivery.....	3
Features.....	3
Dimensions.....	4
Functional description.....	4
Assembly instructions.....	5
Configuration.....	6
Operation.....	7
Emergency Power Supply.....	8
Battery replacement.....	8
Disposal.....	8

Introduction

Dear Customer,
Thank you for choosing the **TwinPad** - the electronic lock for various furniture application options.

The TwinPad is the versatile locking system for cupboards and drawers that can be used with both RFID cards and numeric codes. In the following we will explain its installation, functions and operation.

Important: Please note all warnings and read through the entire operating manual before you begin configuration.

We hope you enjoy using your new locking system.

Sincerely, BURG F.W. Lüling KG

General

The latest version of this guide is always available at:
www.burg.de

Factsheet

Touchpad



Back unit






Technical Parameters	
Dimensions	Touchpad: 107 x 56 x 13 mm Back unit: 140 x 65 x 25 mm
Batteries	4 x AA
Locking cycles	approx. 10,000
Working temperature	-25°C to +55°C
Working humidity	10% to 85% RH
Storage temperature	-40°C to +55°C
Static current	<30uA
Dynamic current	<120mA
Material	Touchpad: plastic Touchpad frame: metal back unit housing: plastic
Locking direction	L, R, drawer
Mode	Private Mode (default), Multi User Mode
RFID type	Mifare Classic, Mifare Desfire Evo II
Card inductive distance	5 to 10 mm
Master Cards	max. 3
User Cards	max. 27
No. of codes (private mode)	max. 1
Code/ Master Code length	4 to 8 digits

Default Settings	
Mode	Private Mode

Code	1234
Master Code	934 716

Scope of Delivery

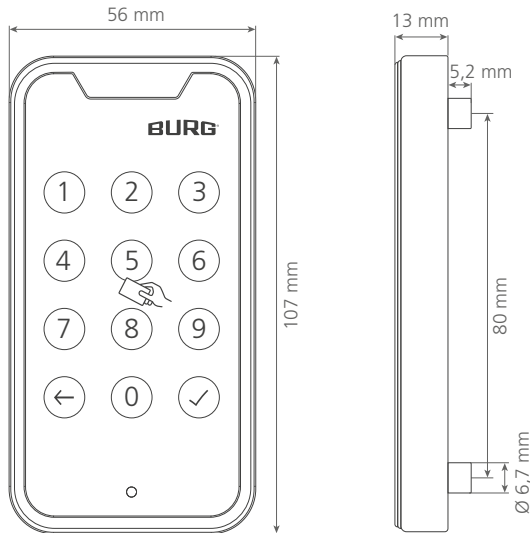
- Front Unit / Touchpad
- Back Unit with battery compartment
- Spring-loaded strike plate
- RFID Mifare classic card
- Reset pin
- 2 screws: M4 x 29,5

- 3 wood screws: 3.4 x 20

- 1 screw: 3 x 8 (for the battery compartment cover)


Features

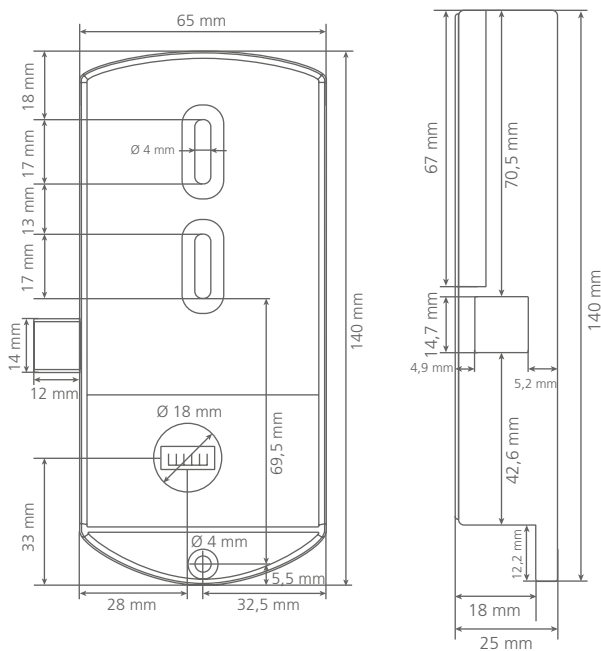
- Dual mode: Code + RFID access (Mifare Classic/ Desfire Evo II)
- Private and Multi User Mode
- Flexible installation (right hinged, left hinged, drawer)
- Latch function
- Slim front unit with metal frame
- Auto-Alarm after 4 failed opening attempts
- Emergency power supply with USB

Dimensions

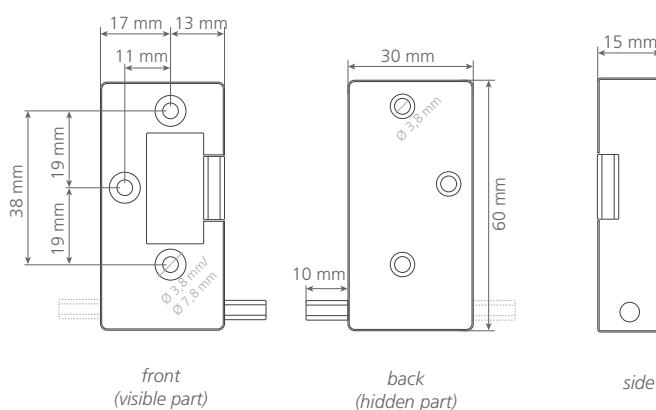
Touchpad



Back unit



Strike plate



Functional Description

Mode: Fixed Assigned Authorization (Private Mode)

In this mode, a code or a transponder medium is pre-set with which the lock can be operated. This mode is suitable for user groups where user rights do not have to change permanently, e.g. in an office cabinet.

Code use: The user enters a previously stored code to close and confirms the entry with the hook key. The lock is opened by entering the stored code. The locking bolt closes automatically after 5 seconds. A code that has not been stored is rejected by the lock.

Transponder use: The user holds an already stored transponder medium over the antenna sign. The lock opens. The lock can then be opened with every stored transponder media. The locking bolt closes automatically after 5 seconds. Non-stored transponder media are rejected by the lock.

Mode: Multi User Authorization (Multi User Mode)

This mode is suitable for constantly changing users who only use the compartment temporarily or once, e.g. in a sports facility. Codes or transponders are valid for a single locking process and are deleted by the lock when the compartment is reopened so that a new code or transponder can be used. The locking bolt remains open until a new code or transponder locks the lock again.

Code use: Before locking, the door must be closed (slightly pressed). The user enters a code of choice (4 to 8 digits) to close and confirms the entry with the hook key. The green LED starts flashing. The lock is opened by entering the same code.

Transponder use: Before locking, the door must be closed (slightly pressed). The user holds the transponder medium over the antenna sign. The lock closes. The green LED starts flashing. The lock can then be only opened with the same transponder media.

Automatic Locking

When automatic locking is activated the lock automatically locks after 5 seconds. Adjustable only in Private Mode.

Block Mode

After 4 failed opening attempts, the lock blocks for 60 seconds so that no code can be entered in the meantime. In the meantime, the lock can be opened with a RFID transponder, whereby the blocking mode for numerical codes remains active until the end of the 60 seconds.

Master Code

The lock can be unlocked by the Master Code in case the code is lost. In Multi User Mode, the active code is deleted after the Master Code is entered. In Private Mode, the code is reset to the factory setting (1234).

Note: Please program for your own safety your own Master Code prior to use.

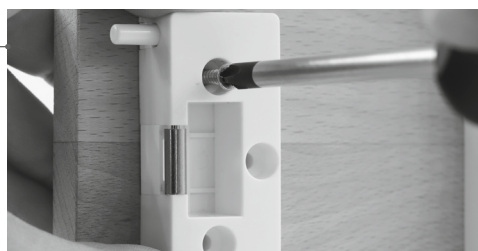
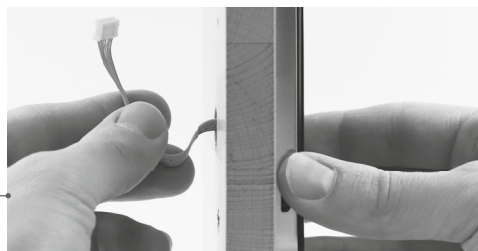
Master Card

The lock can be unlocked via the Master Card in case the user card is lost. In the Multi User Mode, the user card used for locking is deleted after using the Master Card.

Assembly Instructions

- 1 Drill all holes required for installation according to the dimensioned product drawing.
- 2 Carefully place the front unit on the front of the cabinet and carefully pass the connecting cable through the appropriate hole (optimal diameter 18mm).
- 3 If batteries are already installed, open the battery compartment and remove the 4 AA batteries from the back unit.
- 4 Take the back unit and connect the connecting cable: Carefully slide the cable into the socket on the back of the back unit. Make sure that the two small guide rails are visible.
- 5 Make sure that the ribbon cable is not pinched during installation. This can cause permanent damage to the cable, which prevents error-free operation. An incorrect installation will void the manufacturer's warranty.
- 6 *Important note: The M4x29.5 screws included in the scope of delivery have been developed for the use of doors and drawers with a material thickness of minimum 17 mm and maximum 30 mm . Mounting on fronts that are thinner requires shorter M4-screws (formula: material thickness + 13mm). If you then use the existing screws, the touchpad can be permanently damaged.*

Insert the 2 threaded screws (M4x29.5) through the corresponding holes and screw the back unit to the touchpad. For mounting on fronts thinner than 2.8mm, e.g. steel doors, the use of a wooden / HPL adapter plate or corresponding washers might be useful to compensate for the distance between touchpad and back unit. These washers (not included) should have an inside diameter of at least 6.8mm. After the touchpad has been plugged in, the washers are plugged from the inside onto the two lugs (with the M4 internal thread) before the back unit is screwed on. Failure to follow this instruction will void the manufacturer's warranty.
- 7 Place the spring-loaded strike plate on the inside of the cabinet and fix it with the 3 wood screws (3.4x20).
- 8 Insert the four AA batteries and close the battery case. Fix the housing cover with the appropriate screw (3x8).
- 9 At the beginning, make sure the battery cover is closed. Never close the cabinet door with the battery cover on the lock open. Closing the cabinet door may cause batteries to come loose. Test whether the door can be closed without problems and whether the lock closes smoothly. If not, please adjust the lock and striking plate so that the lock can close without pressure or friction. Start setting up the locking system according to the instructions (programming code and RFID).



Configuration

Default Settings

Code	1234
Master Code	934 716

1 Set the Mode

a) Private Mode (default setting)

1. Open the battery compartment and remove one battery.
2. Slightly press the reset pin into the reset hole and keep it pressed.
3. Reinsert the battery. When you hear a beep and the locking bolt moves out, release the pin.

b) Multi User Mode

1. Open the battery compartment and remove one battery.
2. Slightly press the reset pin into the reset hole and keep it pressed.
3. Reinsert the battery. When you hear two beeps and the locking bolt moves in, release the pin.

Note: After switching the mode, the lock is in the default settings of the mode to which it was changed.

2 Set the Master Code and Code

a) Set the Mastercode (Private Mode/ Multi User Mode)

Enter Master Code: Master Code + „←“

Confirmation by a longer beep and flashing of the LED.

Enter new Master Code: xxxx (xxxx)¹ + „✓“

Confirmation by a longer beep.

Note: You can only store one Master Code. When a new Master Code is stored, the active Master Code will be overwritten.

b) Set a User Code (Private Mode)

Enter Code: Code + „←“

Confirmation by a longer beep and flashing of the LED.

Enter new Code: xxxx (xxxx)¹ + „✓“

Confirmation by a longer beep.

Note: You can only store one code. When a new code is stored, the active code will be overwritten.

c) Reset the User Code

Enter Master Code: xxxx (xxxx)

By entering the Master Code, the lock opens. In Multi User Mode, the active code is deleted. In Private Mode, the code is reset to the default setting (1234).

3 Assign Master Card and User Card

a) Assign Master Card

Enter Master Code: Master Code + „←“

Confirmation by a longer beep and flashing of the LED.

1. Hold the Master Card centered on the lock. A long beep confirms the successful addition.
2. Continue if you want to add more Master Cards (up to 3).
3. If finished wait until the LED stops flashing.

b) Assign User Card (Private Mode)

1. Hold the Master Card centered on the lock. Wait for the beep and the LED to light up.
2. Hold the Master Card centered on the lock again, until the LED starts flashing.
3. Hold the user card centered on the lock. A beep confirms the successful addition.
4. Continue if you want to add more user cards (up to 27).
5. If finished wait until the LED stops flashing.

c) Delete User Card (Private Mode)

1. Hold the Master Card centered on the lock. Wait for the beep and the LED to light up.
2. Hold the Master Card centered on the lock again, until the LED starts flashing.
3. Hold the Master Card a third time on the lock and the LED will flash quickly.
4. Hold the user card you want to delete on the lock. A long beep confirms the successful deletion.
5. Continue if you want to delete more user cards.
6. If finished wait until the LED stops flashing.

To test if the user card was successfully deleted, hold the user card centered on the lock. Three short beeps indicate that the card is not added.

4 Reset the lock to default settings

1. Slightly press the reset pin into the reset hole on the back of the back unit for one second.
2. Wait for the long beep. The long beep confirms the successful reset.

Note: The lock remains in the set mode. All settings will be reset to the default settings of the active mode. All user cards and Master Cards will be deleted. The code and Master code will be changed to default setting.

Operation in Private Mode**a) Unlock via Code**

Enter code: Code + „✓“

Confirmation by a longer beep. Unlocking occurs automatically when the LED lights up.

Note: The lock signals a wrong code entry with 3 beeps.

b) Unlock via Master Code

Enter Master Code: Master Code + „✓“

Confirmation by a longer beep. Unlocking occurs automatically when the LED lights up.

Note: The lock signals a wrong Master Code entry with 3 beeps. Unlocking by Master Code resets the active code to the default setting (1234).

c) Unlock via User Card/ Master Card

Hold authorised user card or Master Card centered on the lock. Confirmation by a longer beep. Unlocking occurs automatically when the LED lights up.

Note: If you use an unauthorized user card or Master Card the lock signals this with 3 beeps.

d) Lock

The lock automatically locks after 5 seconds.

Operation in Multi User Mode**a) Lock and Unlock via Code**

Lock: Code + „✓“

Unlock: Code + „✓“

Both processes are confirmed by a longer beep. Unlocking occurs automatically when the LED lights up.

Note: The lock signals a wrong code entry with 3 beeps.

b) Unlock via Master Code

Enter Master Code: Master Code + „✓“

Confirmation by a longer beep. Unlocking occurs automatically when the LED lights up. Unlocking by Master Code deletes the active code.

Note: The lock signals a wrong Master Code entry with 3 beeps.

c) Lock and Unlock via User Card

Lock: Hold user card in front of the lock

Unlock: Hold user card in front of the lock again

Both processes are confirmed by a longer beep. Locking occurs automatically. Unlocking occurs automatically when the LED lights up.

Note: If you use an unauthorized user card the lock signals this with 3 beeps.

d) Unlock via Master Card

Hold authorised Master Card centered on the lock. Confirmation by a longer beep. Unlocking occurs automatically when the LED lights up. Unlocking by Master Card deletes the active user card.

Note: If you use an unauthorized Master Card the lock signals this with 3 beeps.

Emergency Power Supply

If the internal batteries of the TwinPad do not have sufficient voltage, an external power supply can be connected via the mini-USB connection. Connect the supplied USB cable to a PowerBank, notebook or power supply unit and connect it to the touchpad. The lock can now be operated as usual.

Battery Replacement

- 1 Loosen the battery cover screw on the back.
- 2 Remove the battery cover.
- 3 Remove all four AA batteries.
- 4 Insert new AA batteries according to +/- icons.
- 5 Close the battery cover with the screw on the back.

Disposal

Electrical and electronic equipment („old devices“) as well as batteries and accumulators may not be disposed of with household waste. For proper disposal, these devices must be brought to a designated collection point.

Every consumer is legally obliged to dispose of batteries or rechargeable batteries or devices, which are operated with batteries or rechargeable batteries separately from the household waste, as they contain pollutants and valuable resources. Disposal may take place at an approved collection point. This can be, for example, a local recycling center. Old electrical appliances, batteries or rechargeable batteries are accepted there free of charge and used for environmentally beep and resource-efficient recycling.

You can also return your old electrical appliances or used batteries to us. The return must be done in each case sufficiently franked:

BURG F.W. Lüling KG
Volmarsteiner Straße 52
58089 Hagen

On batteries containing harmful substances you will find information in the form of abbreviations on the ingredients cadmium (Cd), mercury (Hg) and lead (Pb). Batteries are marked with the following symbol, which means that they must not be disposed of with household waste:



BURG F.W. Lüling KG

Hegestraße 6
58300 Wetter (Germany)
Fon +49(0)23 35/63 08-0
Fax +49(0)23 35/63 08-999
info@burg.de
www.burg.de